

The **3i** EASE™ Drilling System

Efficient • Advanced • Simple • Effective



Site Preparation

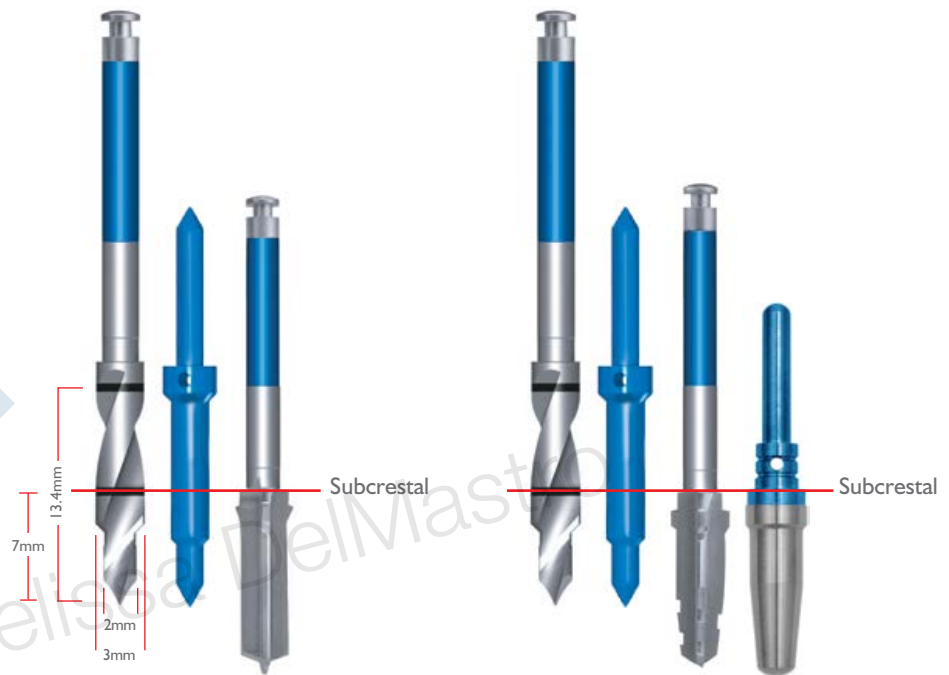
The 3i EASE Drills Feature:

- A first drill that is designed based on a twist concept to allow for bone quality assessment
- A 60° tip on the first drill to engage the bone
- Depth and diameter-specific final drills
- Designs for both Certain® Tapered and Parallel Walled PREVAIL® Implants

Product Simplicity And Convenience

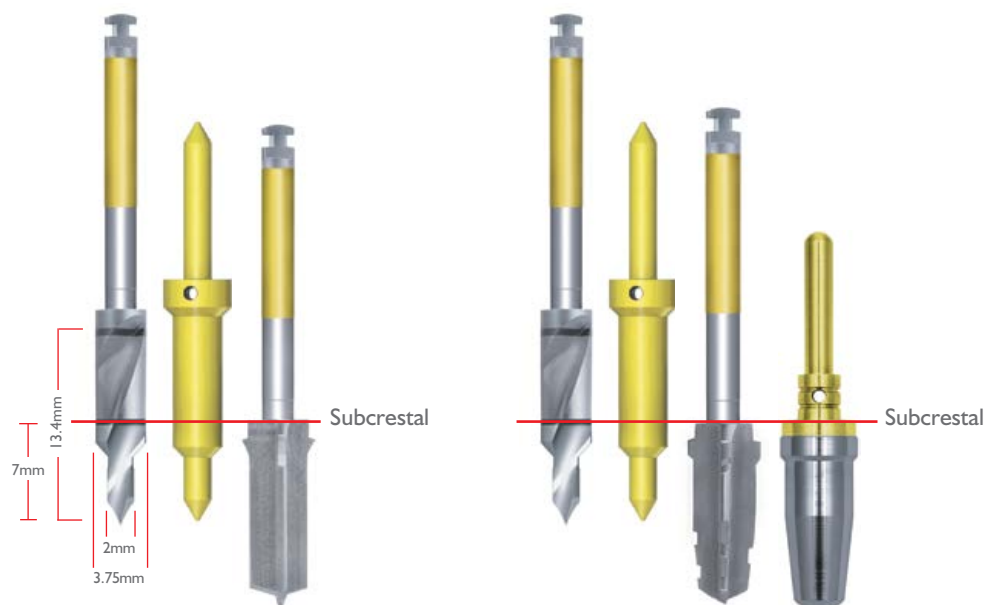
- Fewer components to manage and inventory
- Pre-sterilized drills for single-patient use
- Initial and final drill conveniently packaged together

The 3i EASE™ Drilling System – Innovative **New** Drills Designed to Support a Streamlined Implant Placement Protocol



Parallel Walled 4mm(D)

Tapered 4mm(D)



Parallel Walled 5mm(D)

Tapered 5mm(D)

Site Preparation

3i EASE™ Drilling System Benefits:

- **Efficient drilling system**
Reduces current protocol from four drilling steps down to two
- **Advanced drilling designs**
Swiss designed and manufactured with the latest in cutting technology
- **Simplified protocol**
One protocol for all bone types with only two drills to manage for all cases
- **Effectively cuts**
Drills are single-patient use, so you don't have to worry about using a dull or worn drill

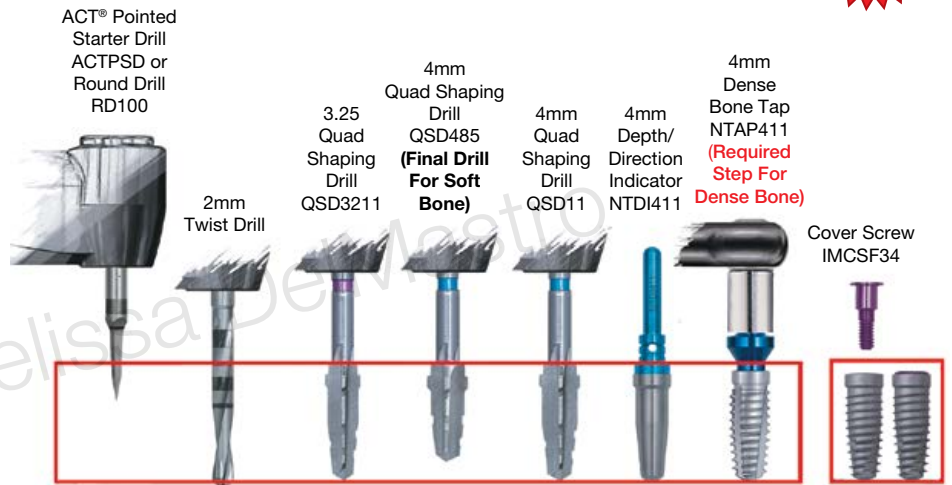
New Protocol for Placement of 4mm(D) x 3.4mm(P) x 11.5mm(L) Tapered Certain PREVAIL Implants:

- The first drill (Universal Starter Drill) replaces the Pointed Starter Drill, 2mm Twist Drill and the initial Shaping Drill
- The Stepped Direction Indicator is sized to assess orientation between the Universal Starter Drill and the Final Shaping Drill
- The second drill (Final Shaping Drill) replaces the last Shaping Drill

A New Streamlined Implant Placement Protocol Resulting in a Reduced Number of Steps and Shortened Chair Time

For Certain® PREVAIL® 4mm(D) x 3.4mm(P) x 11.5mm(L) Tapered Implants

Current Drilling Protocol



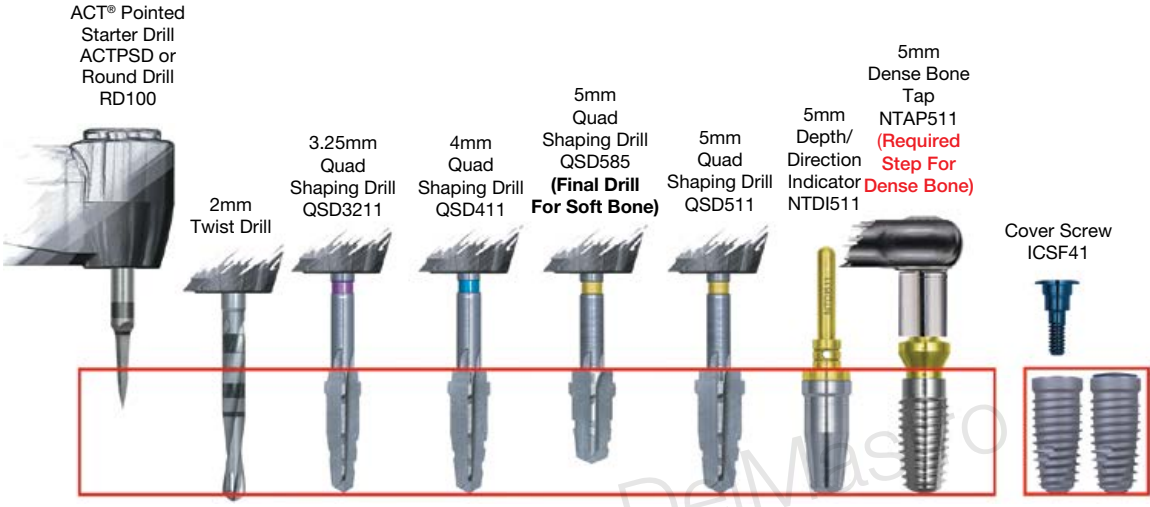
New 3i EASE Drilling Protocol



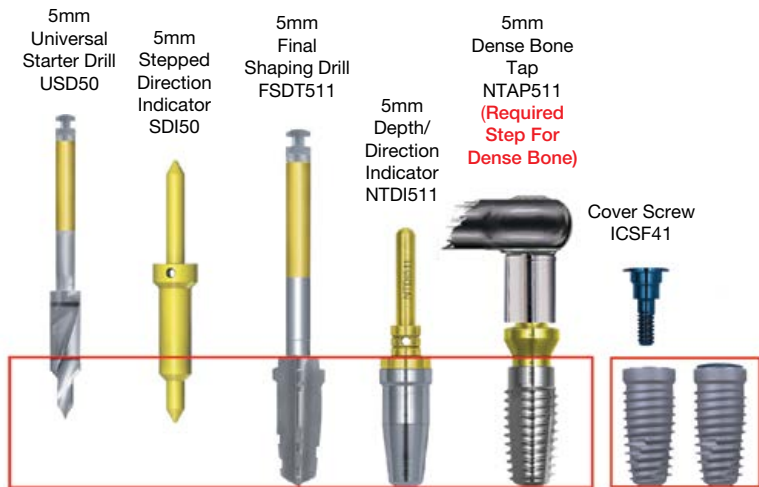
Drilling With EASE

For Certain® PREVAIL® 5mm(D) x 4.1mm(P) x 11.5mm(L)
Tapered Implants

Current Drilling Protocol



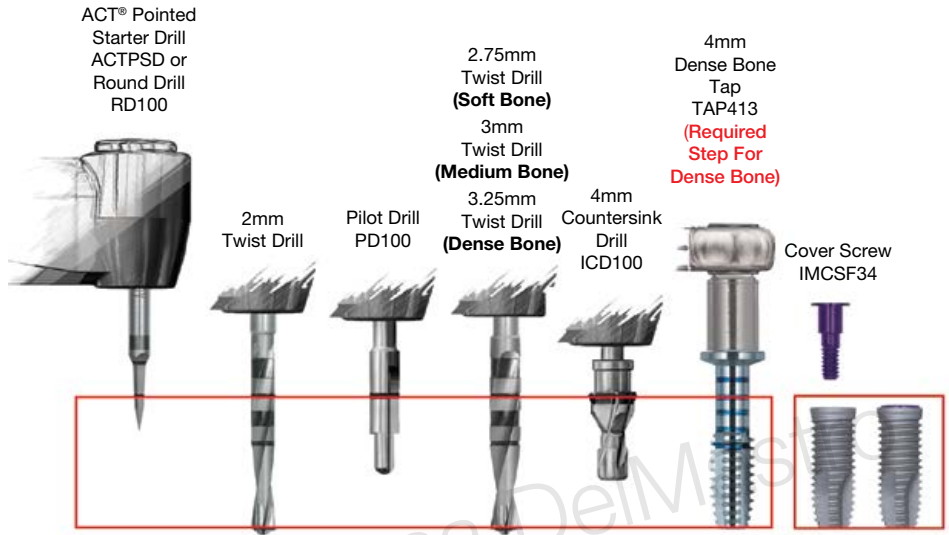
New 3i EASE™ Drilling Protocol



Drilling With EASE

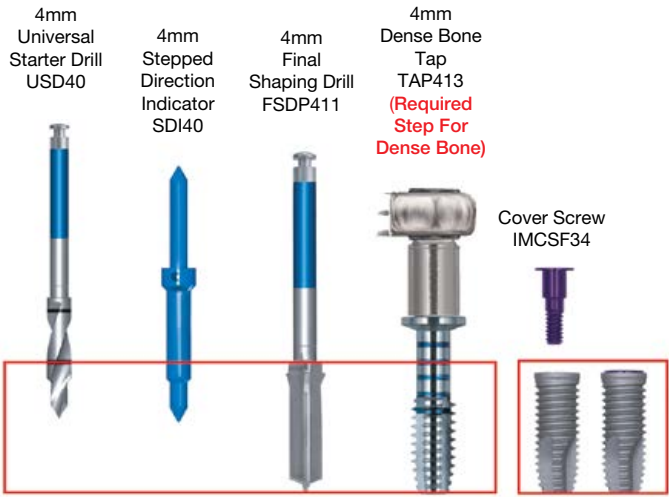
For Certain® PREVAIL® 4mm(D) x 3.4mm(P) x 11.5mm(L)
Parallel Walled Implants

Current Drilling Protocol



© Melissa DeM...

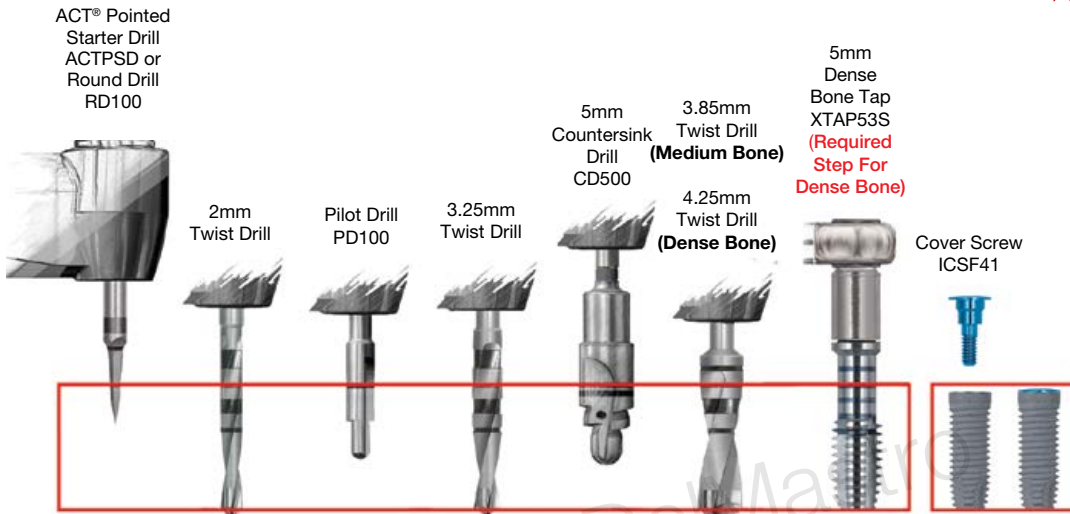
New 3i EASE™ Drilling Protocol



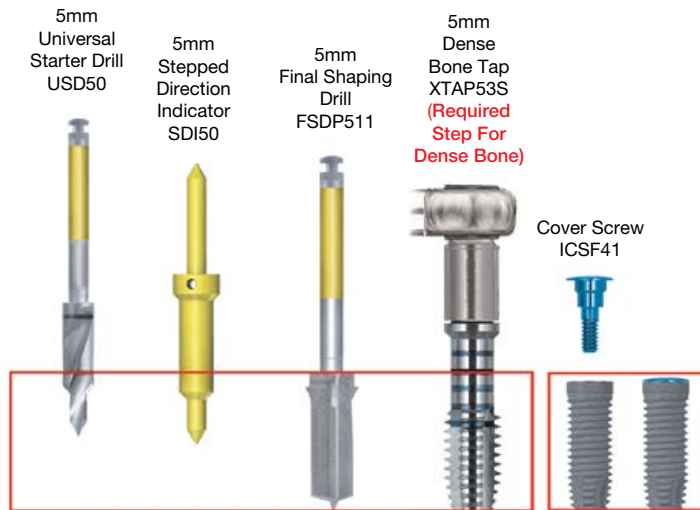
Drilling With EASE

For Certain® PREVAIL® 5mm(D) x 4.1mm(P) x 11.5mm(L)
Parallel Walled Implants

Current Drilling Protocol



New 3i EASE™ Drilling Protocol



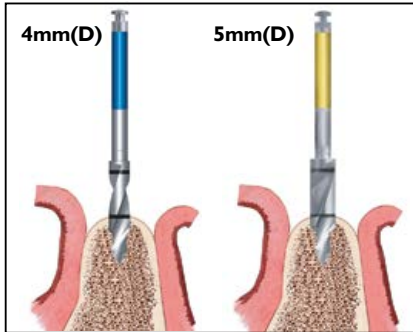
Subcrestal Drilling Protocol Steps

Certain® PREVAIL® 4mm(D) & 5mm(D) x 11.5mm(L) Tapered Implants

NOTE:

- The recommended drill speed for all drills is 1200-1500rpm.
- The Shaping Drills must be used without pumping actions.
- The recommended implant placement speed is 15-20rpm.
- The implant placement torque may exceed 50Ncm.
- Hand ratcheting may be necessary to fully seat the implant in the osteotomy.
- Certain Internal Connection Driver Tips should be inspected for wear prior to use.
- Tapping is required for implant placement in dense bone (Type I) or when the insertion torque is more than 90Ncm.

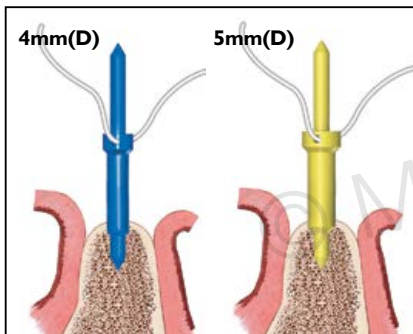
IMPORTANT NOTE: Exceeding an insertion torque of more than 90Ncm may deform or strip the driver tip or the implants' internal hex and may possibly delay the surgical procedure.



Preparing the Osteotomy:

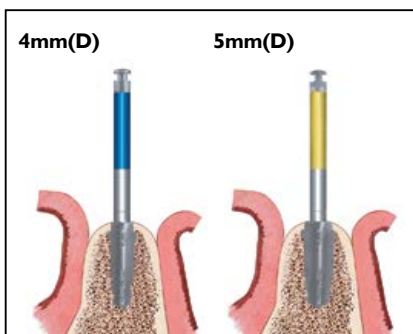
1. Once the implant placement site has been determined, proceed with the Universal Starter Drill to approximately 7mm (first laser line closest to the apical end of the drill). Set the drill speed to 1200-1500rpm.

- Instrument needed:
Universal Starter Drill (USD40) for 4mm(D) implants or
Universal Starter Drill (USD50) for 5mm(D) implants



2. Verify the direction and position of the preparation by inserting the thick portion of the Stepped Direction Indicator into the osteotomy. Thread a suture through the hole to prevent accidental swallowing.

- Instrument needed:
Stepped Direction Indicator (SDI40) for 4mm(D) implants or
Stepped Direction Indicator (SDI50) for 5mm(D) implants



3. Once proper alignment is verified using the Direction Indicator, proceed with the Final Shaping Drill to create the final osteotomy. Drill to the built-in countersink feature on the drill for subcrestal placement.

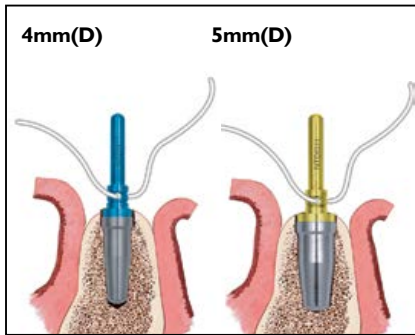
- Instrument needed:
Final Shaping Drill (FSDT411) for 4mm(D) implants or
Final Shaping Drill (FSDT511) for 5mm(D) implants



4. Flush the osteotomy with sterile saline solution. Using suction, remove any remaining drilling debris from the osteotomy.

Subcrestal Drilling Protocol Steps

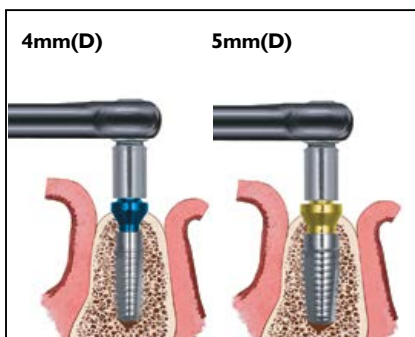
Certain® PREVAIL® 4mm(D) & 5mm(D) x 11.5mm(L) Tapered Implants (Cont'd)



5. Insert the tapered end of the Tapered Depth Indicator into the osteotomy. This will simulate the position of the implant platform in relation to the crest of the bone. Thread a suture through the hole to prevent accidental swallowing.

If the Depth Indicator position does not indicate proper osteotomy depth, adjust the depth of the osteotomy with the corresponding Shaping Drill size.

- Instrument needed:
Tapered Depth Indicator (NTDI411) for 4mm(D) implants **or**
Tapered Depth Indicator (NTDI511) for 5mm(D) implants



6. Tapping is **required** in dense bone (Type I) for all diameter implants. Using the Handpiece Connector, advance the Dense Bone Tap into the prepared site at approximately 15-20rpm. It is not uncommon for the drill unit to stall before the tap is completely seated.

Final seating of the Dense Bone Tap may require the use of the Ratchet Extension and the Ratchet Wrench. Fully seat the tap to the level demonstrated by the NTDI411 or NTDI511.

- Instruments Needed:
Handpiece Connector (MDR10)
Dense Bone Tap (NTAP411) for 4mm(D) implants **or**
Dense Bone Tap (NTAP511) for 5mm(D) implants
Ratchet Extension (RE100 or RE200)
High Torque Indicating Ratchet Wrench (H-TIRW)



Implant placement:

7. After removing the implant from the package, pick it up using the Certain Implant Placement Driver Tip (inspect for wear before use). Carry the implant upward to prevent accidental dislodging.

- Instrument needed:
Certain Implant Placement Driver Tip (IIPDTL or IIPDTS)

8. Place the implant into the prepared site at approximately 15-20rpm. It is not uncommon for the Handpiece to stall before the implant is completely seated.

The implant position should match what was simulated with the Depth/Direction Indicator (NTDI411 or NTDI511) or there may be the risk of a poor fit between the implant and osteotomy.

9. Final seating of the implant may require the use of the Ratchet Wrench and the Certain Ratchet Extension. To remove the Certain Ratchet Extension from the implant, lift it straight up and out.

- Instruments needed:
High Torque Indicating Ratchet Wrench (H-TIRW)
Certain Ratchet Extension (IRE100U or IRE200U)



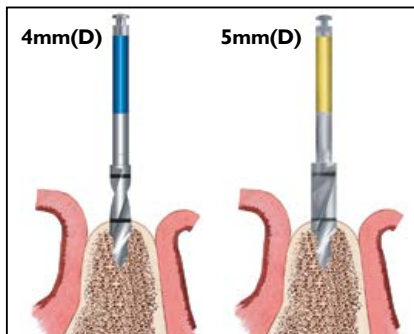
Subcrestal Drilling Protocol Steps

Certain® PREVAIL® 4mm(D) & 5mm(D) x 11.5mm(L) Parallel Walled Implants

NOTE:

- The recommended drill speed for all drills is 1200-1500rpm.
- The recommended implant placement speed is 15-20rpm.
- The Shaping Drills must be used without pumping actions.
- The implant placement torque may exceed 50Ncm.
- Hand ratcheting may be necessary to fully seat the implant into the osteotomy.
- Certain Internal Connection Driver Tips should be inspected for wear before use.
- Tapping is required for implant placement in dense bone (Type I) for Certain PREVAIL Parallel Walled 4/3mm and 5/4mm diameter implants or when the insertion torque is more than 90Ncm.

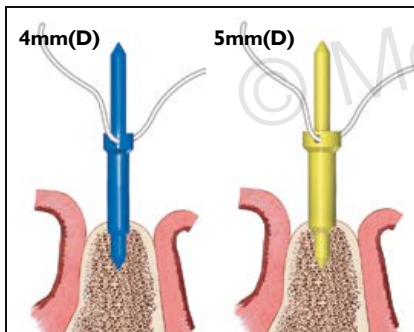
IMPORTANT NOTE: Exceeding an insertion torque of more than 90Ncm may deform or strip the driver tip or the implants' internal hex and may possibly delay the surgical procedure.



Preparing the Osteotomy:

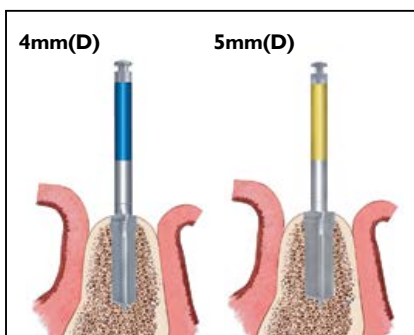
1. Once the implant placement site has been determined, proceed with the Universal Starter Drill to approximately 7mm (first laser line closest to the apical end of the drill). Set the drill speed to 1200-1500rpm.

- Instrument needed:
Universal Starter Drill (USD40) for 4mm(D) implants or
Universal Starter Drill (USD50) for 5mm(D) implants



2. Verify the direction and position of the preparation by inserting the thick portion of the Stepped Direction Indicator into the osteotomy. Thread a suture through the hole to prevent accidental swallowing.

- Instrument needed:
Stepped Direction Indicator (SDI40) for 4mm(D) implants or
Stepped Direction Indicator (SDI50) for 5mm(D) implants



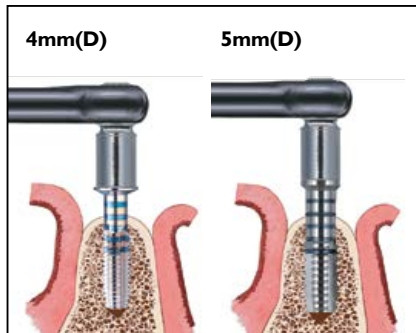
3. Once proper alignment is verified using the Stepped Direction Indicator, proceed with the Final Shaping Drill to create the final osteotomy. Drill to the built-in countersink feature on the drill for subcrestal placement.

- Instrument needed:
Final Shaping Drill (FSDP411) for 4mm(D) implants or
Final Shaping Drill (FSDP511) for 5mm(D) implants

Subcrestal Drilling Protocol Steps

Certain® PREVAIL® 4mm(D) & 5mm(D) x 11.5mm(L)

Parallel Walled Implants (Cont'd)



4. Tapping is **required** in dense bone (Type I) for 5mm diameter implants. Using the Handpiece Connector, advance the Dense Bone Tap into the prepared site at approximately 15-20rpm. It is not uncommon for the drill unit to stall before the tap is completely seated. Final seating of the Dense Bone Tap may require the use of the Ratchet Extension and the Ratchet Wrench.

- Instruments Needed:
 - Handpiece Connector (MDR10)
 - Dense Bone Tap (TAP413) for 4mm(D) implants **or**
 - Dense Bone Tap (XTAP53S) for 5mm(D) implants
 - Ratchet Extension (RE100 or RE200)
 - High Torque Indicating Ratchet Wrench (H-TIRW)



Implant placement:

5. After removing the implant from the package, pick it up using the Certain Implant Placement Driver Tip (inspect for wear before use). Carry the implant upward to prevent accidental dislodging.

- Instrument needed:
 - Certain Implant Placement Driver Tip (IIPDTL or IIPDTS)



6. Place the implant into the prepared site at approximately 15-20rpm. It is not uncommon for the Handpiece to stall before the implant is completely seated.



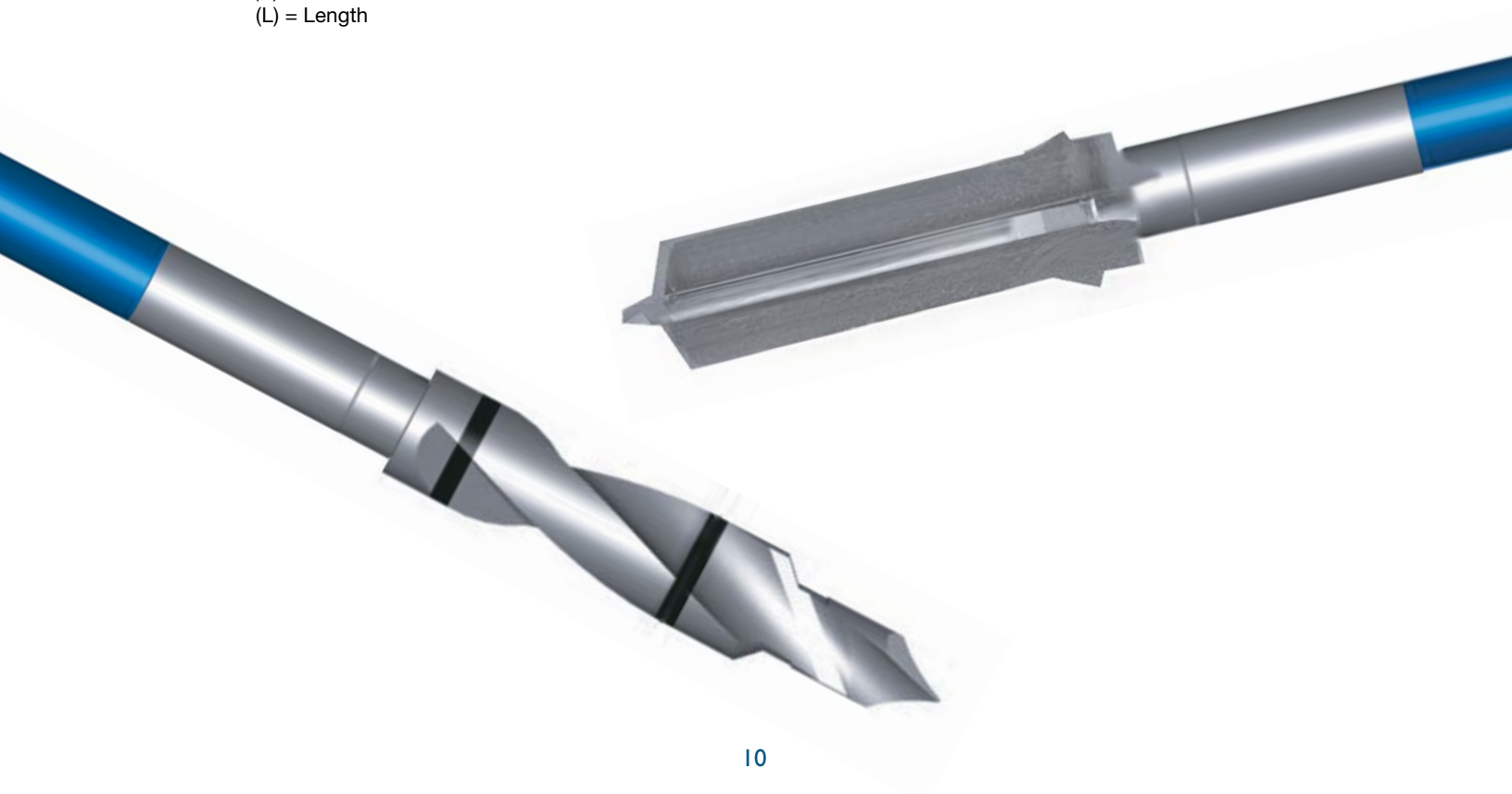
7. Final seating of the implant may require the use of the Ratchet Wrench and the Ratchet Extension. To remove the Ratchet Extension from the implant, lift it straight up and out.

- Instruments needed:
 - High Torque Indicating Ratchet Wrench (H-TIRW)
 - Certain Ratchet Extension (IRE100U or IRE200U)

Product Information

Item Description	Item Number
Drill Kit, Tapered, 4mm(D) x 11.5mm(L)	DKT411
Universal Starter Drill, 4mm(D)	USD40
Final Shaping Drill, Tapered, 4mm(D) x 11.5mm(L)	FSDT411
Drill Kit, Tapered, 5mm(D) x 11.5mm(L)	DKT511
Universal Starter Drill, 5mm(D)	USD50
Final Shaping Drill, Tapered, 5mm(D) x 11.5mm(L)	FSDT511
Drill Kit, Parallel Walled, 4mm(D) x 11.5mm(L)	DKP411
Universal Starter Drill, 4mm(D)	USD40
Final Shaping Drill, Parallel Walled, 4mm(D) x 11.5mm(L)	FSDP411
Drill Kit, Parallel Walled, 5mm(D) x 11.5mm(L)	DKP511
Universal Starter Drill, 5mm(D)	USD50
Final Shaping Drill, Parallel Walled, 5mm(D) x 11.5mm(L)	FSDP511
Stepped Direction Indicators	
Stepped Direction Indicator, 4mm(D) x 2mm(L)	SDI40
Stepped Direction Indicator, 5mm(D) x 2mm(L)	SDI50

(D) = Diameter
(L) = Length



Thank you for your participation in the
3i EASE™ limited launch!

www.biomet3i.com

© Melissa DelMastro



Global Headquarters
4555 Riverside Drive
Palm Beach Gardens, FL 33410
1-800-342-5454
Outside the U.S.: +1-561-776-6700
Fax: +1-561-776-1272
www.biomet3i.com



BIOMET **3i**
Dental Iberica S.L.
WTC Almeda Park, Ed. 1, Planta 1ª
Pl. de la Pau, s/n
08940, Cornellà de Llobregat
(Barcelona) Spain
Phone: +34-93-470-55-00
Fax: +34-93-371-78-49



Join
Us



Follow
Us



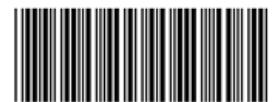
Watch
Us



Download
It

3i T3, ACT, Certain and PREVAIL are registered trademarks and **3i** EASE and Providing Solutions – One Patient At A Time are trademarks of BIOMET **3i** LLC. ©2014 BIOMET **3i** LLC.

All trademarks herein are the property of BIOMET **3i** LLC unless otherwise indicated. This material is intended for clinicians only and is NOT intended for patient distribution. This material is not to be redistributed, duplicated, or disclosed without the express written consent of BIOMET **3i**. For additional product information, including indications, contraindications, warnings, precautions, and potential adverse effects, see the product package insert and the BIOMET **3i** Website.



ART1236
REV A 01/14